



PORTABLE FIRE SUPPRESSION TOOL

GREENPORT FST



SAFERIGHT

AUTHORISED DISTRIBUTOR OF

**FIRE
STRYKER**

PORTABLE FIRE SUPPRESSION TOOL

GREENPORT FST

The GreenPort Portable Fire Suppression Tools (FST) is used by fire fighters, police, armed forces and first responders as a highly effective suppression tool against early stage and fully developed fires. It is also used in a residential or commercial setting and can be placed at the side to be used during an emergency much like a fire extinguisher.

The GreenPort FST is non-pressurized and is deployed manually by pulling a pin which will set off an electronic ignition system. After activating the device, aim and toss the device near the flames. After triggering the GreenPort generator, an aerosol mist is generated, which expands volumetrically, flooding the space and suppressing the flames within seconds.

The GreenPort FST is a highly effective suppression tool, suppressing fully developed fires and will prevent flash-over and back-drafts. It will suppress Class A (solid fuel), Class B (liquid fuel), Class C (gas fuel) and Class E (electrical) fires.

The GreenPort FST is recommended for the use in buildings and other structures and best used in fully developed fires.

PORTABLE FIRE SUPPRESSION TOOL •GREENPORT FST•

- PUTS OUT FIRE CLASS A, B, C, & E FIRES SIGNIFICANTLY FASTER
- NON-PRESSURISED - NO SERVICING/MAINTENANCE/REFILL NEEDED
- SHELF LIFE 15 YEARS
- HIGHLY PORTABLE & MINIMAL TRAINING NEEDED
- ALLOWS FOR RAPID RESPONSE MINIMIZING FIRE DAMAGE
- LOW TOXICITY, CLEAN AND SAFE HIGHLY EFFICIENT
- CAN BE KEPT AT THE SIDE TO BE USED DURING AN EMERGENCY
- QUICK & SIMPLE TO DEPLOY - PULL THE PIN & TOSS IT NEAR THE FLAMES

• Verified by BSI with BSI Verification Certificate No: VC 731199 •

FIRE STRYKER FST Rev 1 16.09.2021

For product customisation or more information,
Email: saleswa@saferight.com.au | Contact No. 1800-352-335
42 Belmont Avenue, Belmont, WA 6104, Australia

WWW.SAFERIGHT.COM.AU







Quality
ISO 9001
Licence: QEC20205
SAI GLOBAL



PORTABLE FIRE SUPPRESSION TOOL

GREENPORT FST

PUTS OUT CLASS FIRE: A,B,C & E.

-  **A** · Class A Fires: Solid combustible materials
-  **B** · Class B Fires: Liquid combustible materials
-  **C** · Class C Fires: Gaseous combustible materials
-  **E** · Electrical Equipment Fires: Up to 100V



MATERIALS & COMPONENTS

- Inner component:
Potassium Nitrate, Magnesium & Epoxy Resin Polymer

TESTING & QUALITY CONTROL

- Verified by BSI with BSI Verification Certificate No: VC 731199
- 100% visual inspection
- Saferight is an ISO 9001 Certified Quality Assurance System



**AUTHORISED DISTIRUBTOR
FOR**



Importer's Information:
Firestryker Australasia Pty Ltd
Unit 2, 38 Sarich Court Osbourne Park 6017 WA
+61 411 444 005 | www.firestryker.com.au
info@firestryker.com.au



Quality
ISO 9001
Licence: OEC20205
SAI GLOBAL



For product customisation or more information,
Email: saleswa@saferright.com.au | Contact No. 1800-352-335
42 Belmont Avenue, Belmont, WA 6104, Australia

WWW.SAFERRIGHT.COM.AU

PORTABLE FIRE SUPPRESSION TOOL

GREENPORT FST

GENERAL SPECIFICATION

Extinguishing Volume	100 m ³
Activation Mode	Electrical/Manual
Powdered Aerosol Colour	White / light grey
Discharge Time	30 sec
Temperature Range	-40°C to +54°C
SFE Weight	2000 grams
SFE Specific Gravity	1.2 – 1.5 gr/cm ³
SFE Combustion Velocity	1.1 – 1.2 mm/sec
Fire Classes	A – B – C – E

MECHANICAL SPECIFICATION

Dimensions (W x H x L)	330 x 235 x 119 mm
Total Weight	5.2 kg

APPLICATIONS:

- Fire Suppression Tool (Residential / Commercial)



- Fire/Emergency Services Operations /



WATCH THE
GREENPORT
FST IN ACTION



For product customisation or more information,
Email: saleswa@saferright.com.au | Contact No. 1800-352-335
42 Belmont Avenue, Belmont, WA 6104, Australia

WWW.SAFERIGHT.COM.AU



Quality
ISO 9001
Licence: QEC20205
SAI GLOBAL





RESIDENTIAL/COMMERCIAL
-STOPS FIRE FROM SPREADING
TO OTHER LEVELS. REDUCES
RISKS TO FIRST RESPONDERS



MARITIME
**-STOPS FIRE FROM SPREADING
TO OTHER AREAS. ALLOWS
FIRST RESPONDERS ON BOARD
TO PUT THE FIRE OUT SAFELY.**

For product customisation or more information,
Email: saleswa@saferight.com.au | Contact No. 1800-352-335
42 Belmont Avenue, Belmont, WA 6104, Australia

WWW.SAFERIGHT.COM.AU



Quality
ISO 9001
Licence: QEC20205
SAI GLOBAL





EMERGENCY RESPONDERS
-STOPS FIRE FROM SPREADING
TO OTHER AREAS. REDUCES
RISKS TO FIRST RESPONDERS

For product customisation or more information,
Email: saleswa@saferight.com.au | Contact No. 1800-352-335
42 Belmont Avenue, Belmont, WA 6014, Australia

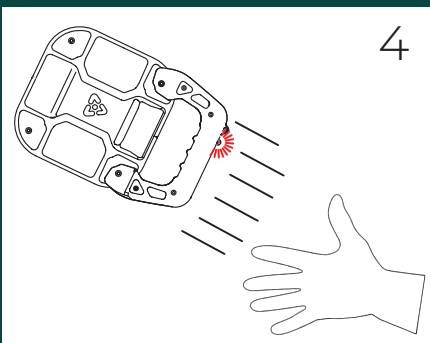
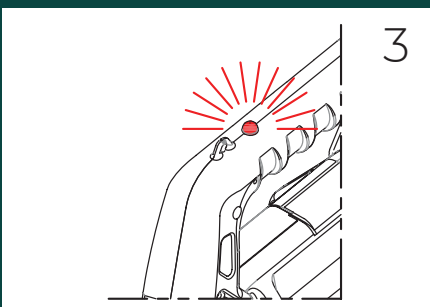
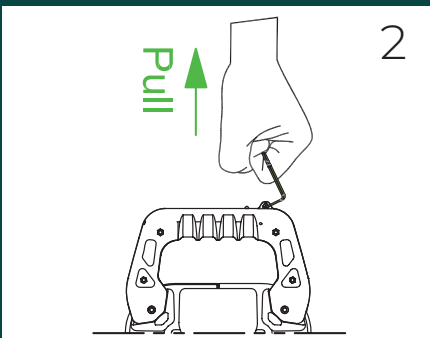
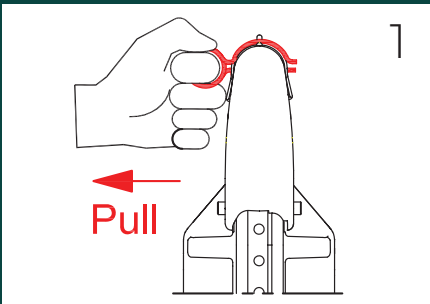
WWW.SAFERIGHT.COM.AU



Quality
ISO 9001
Licence: QEC20205
SAI GLOBAL



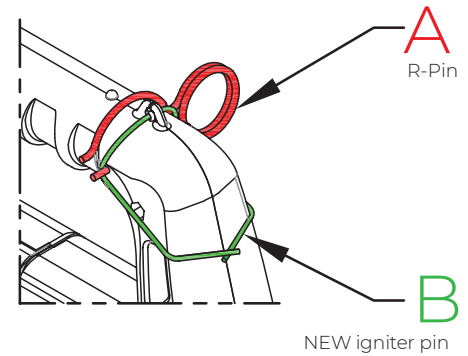
GREENPORT FST QUICK START GUIDE



The GreenPort FST comes equipped with 2 (two) types of metal pins.

This manual will explain how the R-Pin (A) is used in conjunction with the NEW igniter pin (B).

The New ignition Pin was added to Prevent wrong sequence activation.



Deploying the GreenPort® FST

Locate the GreenPort FST

Evaluate the scene and decide the safest place to deploy the GreenPort FST that is nearest to the seat of the fire.

When the decision to deploy the FST has been made and you are in position, firmly grasp the R-Pin and pull it straight out of the unit. Removing the R-Pin unlocks the Igniter pin so it can be used to deploy the FST. **(1)**

After removing the R-Pin, firmly grasp the Igniter Pin **(2)** and pull it straight out of the unit. Once the Igniter pin has been pulled the 8 second countdown until deployment will start and the LED **(3)** on the handle bar will be blinking.

Once the pin is pulled the activation cannot be stopped. You must deploy the unit immediately after pulling the pin **(4)**.

Immediately throw the FST into the structure near the seat of the fire.

After deploying the GreenPort FST make sure all efforts are maintained to ensure a closed fire rooms to contain aerosol. Do not ventilate at this point. Allow the FST time some time to do its job.

FOR MORE INFORMATION, PLEASE REFER TO THE OPERATION MANUAL



For product customisation or more information,
Email: saleswa@saferight.com.au | Contact No. 1800-352-335
42 Belmont Avenue, Belmont, WA 6104, Australia

WWW.SAFERIGHT.COM.AU



Quality
ISO 9001
Licence: QEC20205
SAI GLOBAL





**DEPLOYED MANUALLY BY PULLING A PIN TO SET IT OFF
& TOSS THE GREENPORT FST INTO THE FLAMES.**

**PUTS OUT FIRE
SIGNIFICANTLY FASTER.
REQUIRES NO SERVICING/
MAINTENANCE/REFILL.
STOPS FIRE FROM SPREADING
TO OTHER AREAS/LEVELS.**

1. IDENTIFICATION OF THE SUBSTANCE AND COMPANY
1.1. Identification of the Preparation

Product name: GreenPort FST Portable Fire Suppression Tool
 Chemical name: N/A - this is a mixture / preparation
 CAS No.: N/A - this is a mixture / preparation
 Chemical formula: N/A - this is a mixture / preparation
 EINECS No: N/A - this is a mixture / preparation

1.2. Use of the Preparation:

The intended or recommended use of this preparation is as a Portable Fire Extinguishing agent and or Portable Fire Suppression agent.

1.3. Company Identification

Manufacturer / Supplier: GreenEx Fire Suppression Solutions B.V.
 Address: P.O. Box 13
 7037 ZG Beek
 The Netherlands
 Phone no.: +31 (0) 85 04 02 135
 Email: support@green-ex.nl
 Website: www.green-ex.nl
 Date of issue: November 2018

1.4. Emergency Telephone

+31 (0) 85 04 02 0135 / +44 (0) 77 21 666 566

2. COMPOSITION / INFORMATION ON INGREDIENTS

2.1.	Ingredient name / Chemical formula	Wt.%	Cas No.	EINECS No.	Class, R and S phrases
	Potassium Nitrate / KNO ₃	75%	7757-79-1	231-818-8	See sec. 15
	Magnesium / Mg	2%	7439-95-4	231-104-6	See sec. 15
	Epoxy Resin Polymer	23%	25068-38-6	See A)	See sec. 15

A) EINECS does not include synthetic polymers (these are registered in EINECS under their building blocks, monomers).

See 67/548/EEC; article 13; 79/831/EC; and 81/437/EC.

NOTE: Unless a component presents a severe hazard, it does not need to be considered in the MSDS if the concentration is less than 1%. (According to Directive 1999/45/EC.)

3. HAZARDS IDENTIFICATION

- Hazards for humans related to the SFE compound has not been found.
- Hazards for humans related to the aerosol agent released by the solid SFE compound has not been found, based on the Toxicological assessment.*
- Signs and symptoms related to the aerosol agent are only referred to actual exposure and/or chronic overexposures. In real situations the exposure will be very limited.

3.1. FOR HUMANS

Threshold Limit values: None established

SIGNS AND SYMPTOMS ACUTE EXPOSURE	
Eye Contact	May cause redness
Skin Contact	At normal contact no injury
Inhalation	Can be irritating to mucous membranes.
Ingestion	At normal contact no injury
Chronic overexposure	At normal contact no injury
For Environment	None established

4. FIRST AID MEASURES

- 4.1. First Aid measures are referred to actual exposure and or chronic over exposure

Eye contact: wash eyes with large amounts of water.
 Skin contact: Remove clothing and shoes. Wash skin with soap.
 Inhalation: Remove from exposure compartment to fresh air.
 Ingestion: Not likely

5. FIRE EXTINGUISHING MEASURES

- 5.1. Extinguishing media: This preparation is an extinguishing agent.
- 5.2. There are NO extinguishing media, which must not be used for safety reasons. If material is involved in a fire, use agent appropriate for material around this product.
- 5.3. Relative to special protective equipment needed for fire fighters. Material will generate an aerosol under conditions of fire,
- 5.4. For personal protection: In places where there is a fire, always wear personal protecting equipment and clothing.

6. ACCIDENTAL RELEASE MEASURES

- 6.1. Personal Precautions
Respiratory protecting: at normal contact not needed
Hand protection: at normal contact not needed
Eye protection: at normal contact not needed
Skin and Body protection: at normal contact not needed
- 6.2. Waste disposal Methods See section 13
- 6.3. Clean up Precautions Sweep up and place in closed container for disposal see section 13.

7. HANDLING AND STORAGE

- 7.1. Handling
Do not mix with other extinguishing agents. Avoid contact with combustible materials. See incompatibility information in Heading 10.
- 7.2. Storage
Should be stored in original container / housing. Keep dry.
- 7.3. Specific use
The intended and or recommended use of this preparation is as a Fire Extinguishing agent.

8. EXPOSURE CONTROLS AND PERSONAL PROTECTION

- 8.1. Exposure: Before entering a compartment with the material in aerosol phase, mechanical ventilation is preferred to avoid unnecessary exposure.
- 8.2. Personal protection
Respiratory Protection: dust mask where dustiness is prevalent, or TLV is exceeded.
Hand protection: at normal contact not needed
Eye protection: goggles recommended as mechanical barrier for prolonged exposure.
Skin protection: at normal contact not needed

9. PHYSICAL AND CHEMICAL CHARACTERISTICS

- 9.1. General information
 Appearance: White to light gray
 Odor: None
- 9.2. Important health, safety and Environmental information
 pH: Not applicable.
 Boiling point/boiling range: Not applicable.
 Flash point: Not applicable.
 Flammability (solid/gas): Not flammable.
 Explosive properties: Not explosive.
 Vapor pressure: Not applicable.
 Relative density (Water = 1): Not applicable.
- Solubility: - Water solubility: Partially soluble.
 - Fat solubility: Not soluble.
- Viscosity: Not applicable.
 Vapor density (Air = 1): Not applicable.

10. STABILITY AND REACTIVITY

- 10.1. Stability: Stable
 Conditions to Avoid: On Contact with very hot surfaces <150° Celsius.
- 10.2. Hazardous reactions: Will not occur
 Conditions to Avoid: None known
- 10.3. Materials to Avoid: None known
- 10.4. Hazardous Decomposition Products: Hazardous polymerization will NOT occur.

11. TOXICOLOGICAL INFORMATION

11.1. Product: The toxicity of the product mixture has not been determined.
 In case of Fire the Toxicity is caused by the fire itself (fire gasses) and the products involved in the fire.

11.2.	Components		
	Potassium Nitrate	Toxicity:	Oral LD50 (RAT) 3750 mg/kg.
		Target Organs:	Blood, central nervous system
	Magnesium	Toxicity:	Oral LDLO (DOG) 230 mg/kg.
		Target Organs:	Central nervous system, liver and kidneys
	Epoxy Resin Polymer	Irritation Data:	Skin (Guinea Pig) 2750 mg/55 days inert. Eye (Rabbit) 100 mg. Mild.
	Toxicity:	Oral LD50 (RAT) 11.4 g/kg.	

12. ECOLOGICAL INFORMATION

12.1. Mobility: With present data no problems
 12.2. Degradability: With present data no problems
 12.3. Bioaccumulation Potential: With present data no problems
 12.4. Ecotoxicity: With present data no problems
 12.5. Other Adverse Effects:
 Ozon depletion Potential: None
 Photochemical Ozone Creation Potential: None
 Global Warming Potential: None

13. DISPOSAL CONSIDERATIONS

13.1. Within the present knowledge of the supplier, this product is not regarded as hazardous waste, as defined by Directive 91/689/EC. Comply with all local, state and federal/international regulations.

14. TRANSPORT INFORMATION

14.1. This product is not classified as dangerous according to ADR/RID, IMDG and ICAO/IATA and national regulation as per TNO report 15EM/0337, 06.15367/01.03.

15. REGULATORY INFORMATION

15.1. For the components underneath 15.2. the European EU Classification and R&S phrases, referred to the components of the SFE compound are related only to the SINGLE components considered as separated chemical entities. Once mixed in the production of the SFE compound, the risk sentences of the single components are not applicable being the SFE compound a separate chemical entity.

15.2.	Components			
	Potassium Nitrate	EU Classification R Phrases S Phrases	Oxidizer 8 16 41 36/37/38	- Contact with combustible material may cause fire. Keep away from sources of ignition - NO Smoking. In case of fire and or explosion, do not breathe fumes Irritating to eyes, respiratory system and skin.
	Magnesium	EU Classification R Phrases S Phrases	Flammable 15 17 2 43 7/8	- Contact with water liberates highly flammable gases. Spontaneously flammable in air. Keep out of reach of children. In case of fire never use water. Keep container tightly closed and dry.
	Epoxy Resin Polymer	EU Classification R Phrases S Phrases	Irritant 36/38 43 53 28 37/39 61	- Irritating to eyes and skin. May cause sensitization by skin contact. May cause long-term adverse effects in aquatic environment. In case of contact with skin, rinse with water. Wear suitable gloves and eye/face protection. Avoid release to the environment. Refer to special instructions.

16. OTHER INFORMATION

16.1. Comply with manufacturer's Operation Manual, GreenPort FST™, revision 4.1 February 2017.

17. DISCLAIMER

- 17.1. The above information in the Material Safety Data Sheet reflects the current state of knowledge of our products and shall be used as a guideline. No binding statements as to the contractually agreed product characteristics may be inferred there from. GreenEx Fire Suppression Solutions shall not be held liable for any damage resulting from handling or from contact with the above product.

