

HOOKS

SNAP HOOKS

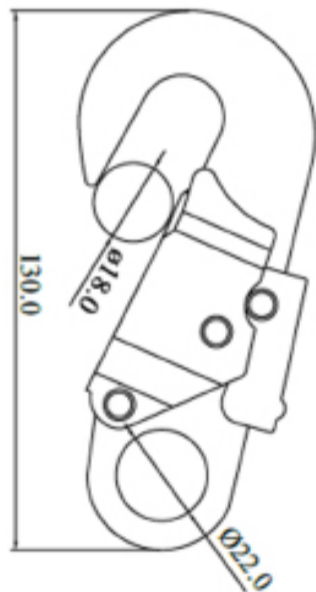


SPECIFICATIONS

- Triple action snap hook.
- Nose type: Keylock nose.
- Aluminium Alloy.
- Anodised finish

CODE	GATE OPENING (mm)	MIN BREAKING STRENGTH (LBF)	MIN BREAKING STRENGTH (kN)
K5T	23mm	6294	28kN
GATE OPENING GAP (INCHES)		EYE DIAMETER (mm)	EYE DIAMETER (INCHES)
0.9		20m	0.782
WEIGHT (GRAMS)		WEIGHT (OUNCES)	
153		5.4	

K5T



SPECIFICATIONS

Forged aluminum snaphooks

CODE	GATE OPENING	MIN BREAKING STRENGTH
GK5	20mm	23kN

K5

HEAD OFFICE: 42 BELMONT AVENUE, BELMONT, WA 6104
 PO BOX 176, BELMONT, WA 6984



TEL: +61 08 9334 1011 FAX: +61 08 9334 1001
 SALESWA@SAFERIGHT.COM.AU

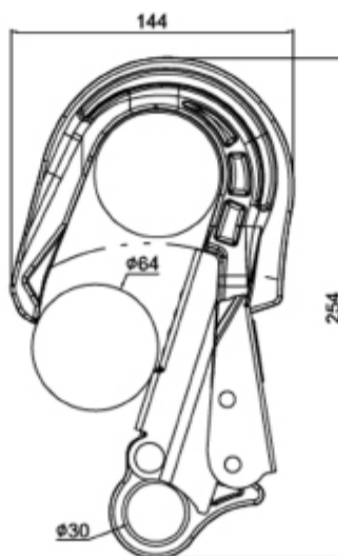


Quality
 ISO 9001
 Licence: QEC30205
 SAIGLOBAL



HOOKS

SHARK HOOKS

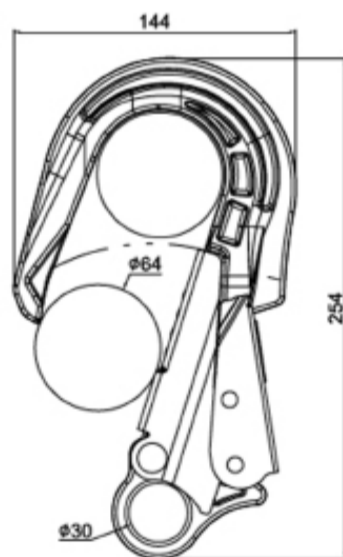


SPECIFICATIONS

Triple action alloy shark hook

CODE	GATE OPENING	MIN BREAKING STRENGTH
K9T	60mm	23kN

K9T



SPECIFICATIONS

Double forged aluminum

CODE	GATE OPENING	MIN BREAKING STRENGTH
GK9	64mm	28kN

GK9

HEAD OFFICE: 42 BELMONT AVENUE, BELMONT, WA 6104

PO BOX 176, BELMONT, WA 6984

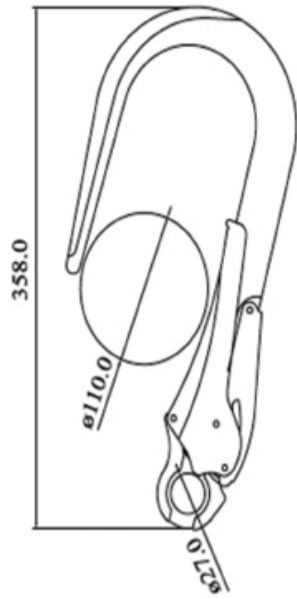


TEL: +61 08 9334 1011 FAX: +61 08 9334 1001

SALESWA@SAFERIGHT.COM.AU



SHARK HOOKS



SPECIFICATIONS

Double action alloy shark hook

CODE	GATE OPENING	MIN BREAKING STRENGTH
K9L	110mm	25kN

K9L



SPECIFICATIONS

Double action steel snap hook

CODE	GATE OPENING	MIN BREAKING STRENGTH
K9S	85mm	23kN

K9S

OUR KARABINERS + HOOKS + MAILLONS RANGE

Safety Karabiners, Safety Hooks & Safety Maillons For Your Business

Small and lightweight but sturdy and durable, these safety equipment are essential especially when you need to set up or connect multiple lines to create a fall protection or fall restraint system. Designed for convenience and with safety in mind, these tools can be used in various applications including simple line connections as well as support for complicated response and rescue. These karabiners, hooks, and maillons also serve as another source of protection since they can provide strength and stability when carrying heavy load equipment or carrying multiple persons.

HEAD OFFICE: 42 BELMONT AVENUE, BELMONT, WA 6104

PO BOX 176, BELMONT, WA 6984



TEL: +61 08 9334 1011 FAX: +61 08 9334 1001

SALESWA@SAFERIGHT.COM.AU



Quality
ISO 9001
Licence: BEC30205
SAIGLOBAL

